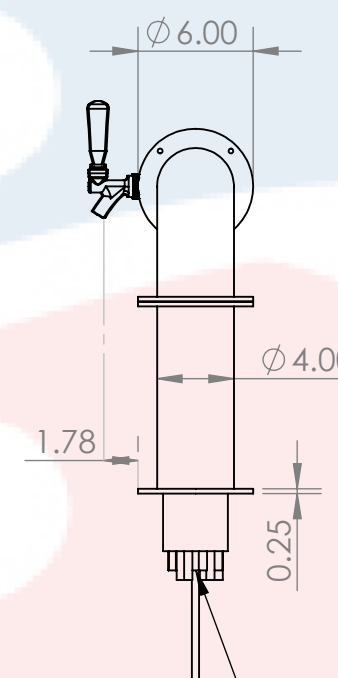
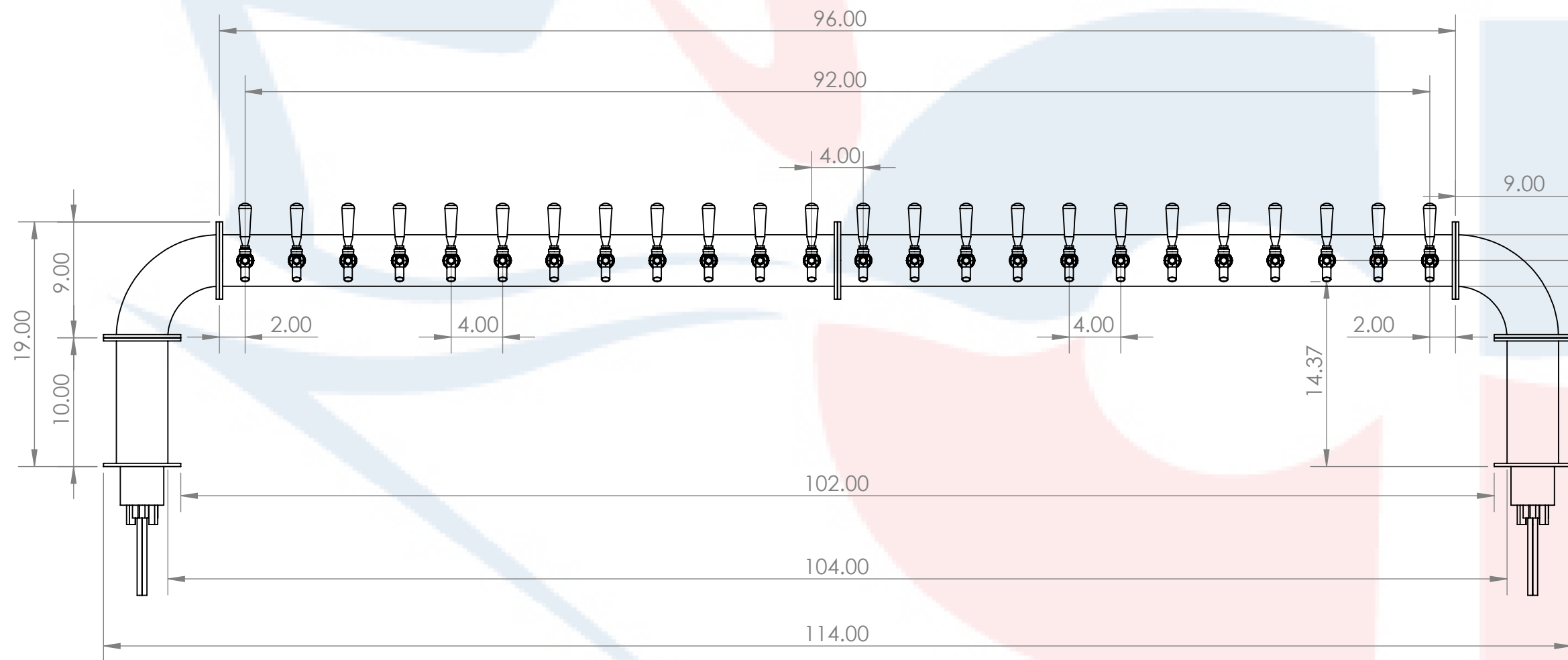
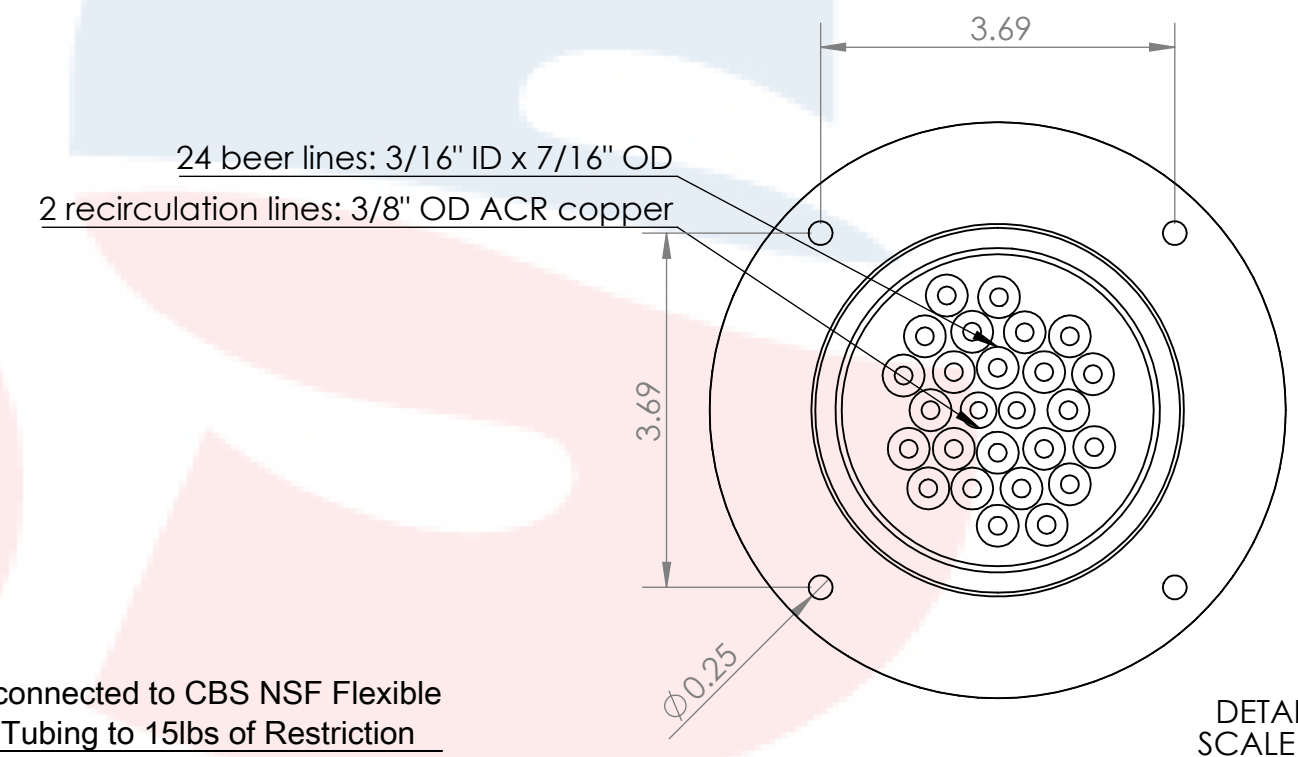


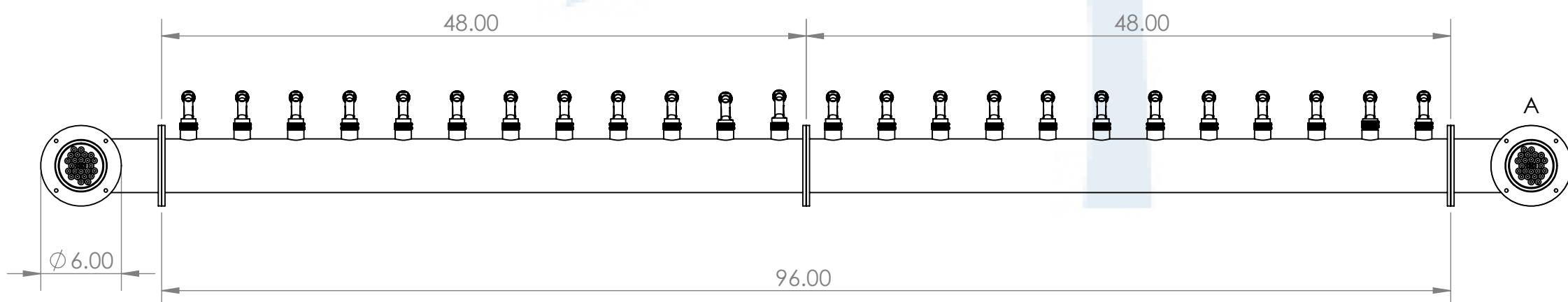
Isometric View  
(For reference purpose only)



304SS tube connected to CBS NSF Flexible  
Total Barrier Tubing to 15lbs of Restriction



DETAIL A  
SCALE 1:2



Suggested Drip Tray:  
2 x BB701351 - 51" x 7" BSS Drip Tray  
2 x BB702451 - 51" x 7" BSS Spray Drip Tray



Name		Date		Title:	
Drawn by:	Canadian Beverage Supply Inc.	11/23/2022		4" 24 Tap Lions Gate Tower	
Approved by:	VP Sales				
Material:	304 SS	Finish:	Brushed SS	Part Number:	Revision:
Unless otherwise mentioned, dimensions are <u>inches</u>				BB102629-24SSCK	
				SCALE: 1:10	SHEET 1 OF 1